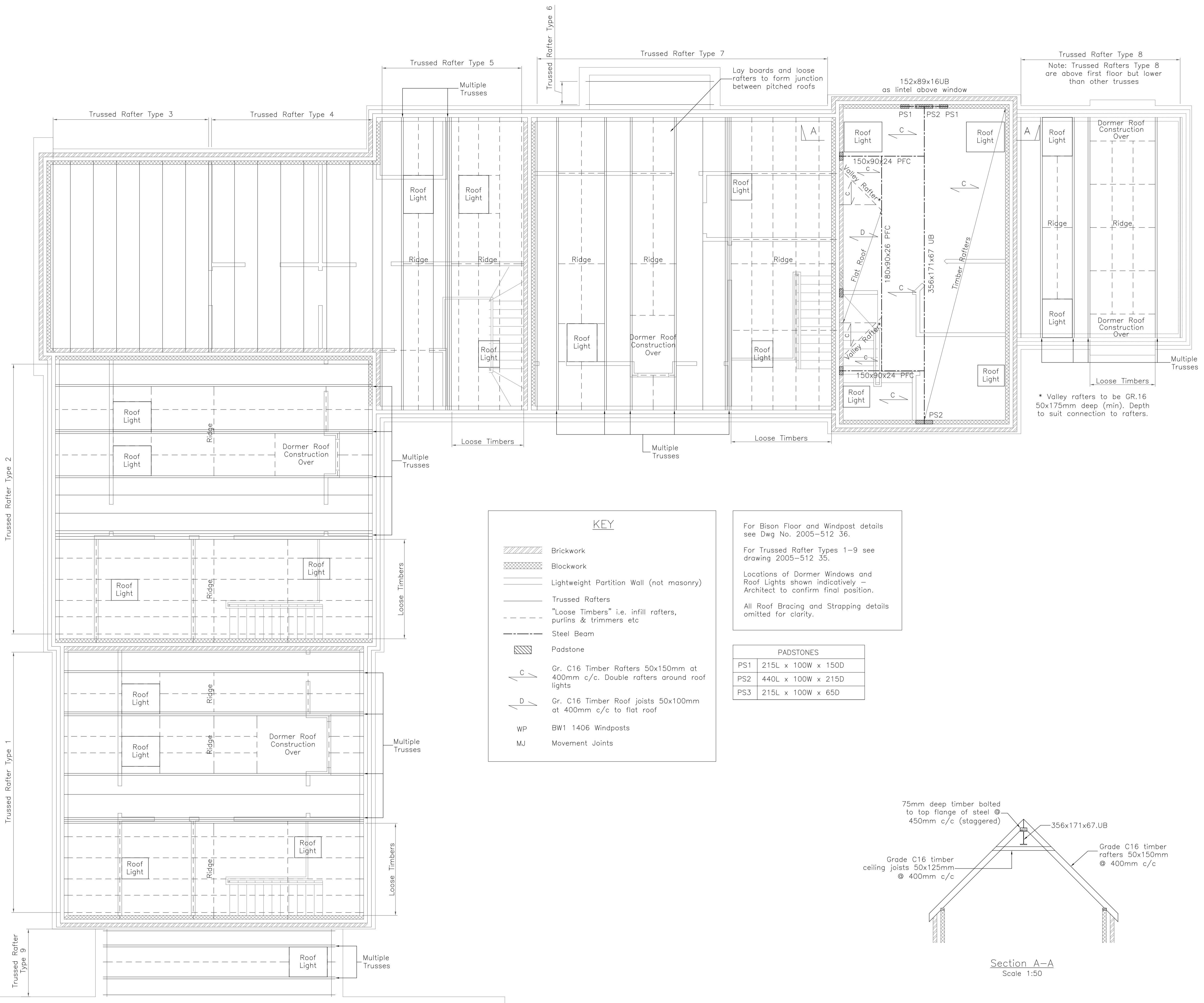


**NOTES**

1. THIS DRAWING TO BE READ IN CONJUNCTION WITH ALL RELEVANT ARCHITECTS, ENGINEERS AND SPECIALISTS DETAILS AND THE SPECIFICATION.
2. ALL TIMBER MUST BE VACUUM IMPREGNATED WITH PRESERVATIVES. MINIMUM WIDTH OF TIMBER TO BE 38mm.
3. THE STABILITY OF THE ROOF DURING ERECTION IS THE RESPONSIBILITY OF THE CONTRACTOR.
4. TRUSSED RAFTERS TO BE DESIGNED, FABRICATED, ERECTED AND BRACED IN ACCORDANCE WITH BS.5268-3:1998.
5. THE TRUSS MANUFACTURER MUST CONFIRM ALL DIMENSIONS ON SITE PRIOR TO MANUFACTURE.
6. PRIOR TO MANUFACTURE, THE CONTRACTOR MUST SUBMIT TWO COPIES OF THE TRUSS MANUFACTURERS CALCULATIONS AND LAYOUT DRAWINGS TO THE ENGINEER FOR COMMENT.
7. TRUSSED RAFTER MANUFACTURER TO SUPPLY AND FIX ALL NECESSARY BRACING IN ACCORDANCE WITH BS.5268-3:1998.
8. ALL CEILING AND RAFTER BRACING TO BE 100 x 25 C.16 TIMBER IN ACCORDANCE WITH APPENDIX A OF BS.5268-3:1998.
9. WITH REFERENCE TO GABLE WALL STRAPS SEE ALSO DRAWING 2005-512-36.



**KEY**

- Brickwork
- Blockwork
- Lightweight Partition Wall (not masonry)
- Trussed Rafters
- "Loose Timbers" i.e. infill rafters, purlins & trimmers etc
- Steel Beam
- Padstone
- Gr. C16 Timber Rafters 50x150mm at 400mm c/c. Double rafters around roof lights
- Gr. C16 Timber Roof joists 50x100mm at 400mm c/c to flat roof
- WP BW1 1406 Windposts
- MJ Movement Joints

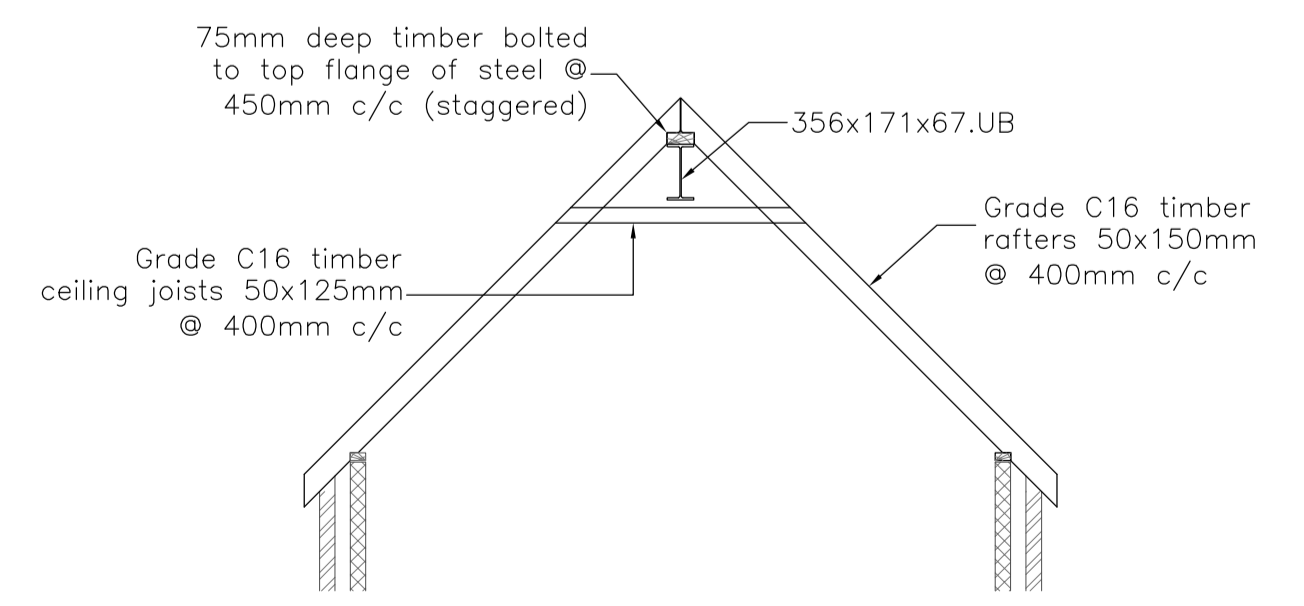
For Bison Floor and Windpost details see Dwg No. 2005-512 36.

For Trussed Rafter Types 1-9 see drawing 2005-512 35.

Locations of Dormer Windows and Roof Lights shown indicatively - Architect to confirm final position.

All Roof Bracing and Strapping details omitted for clarity.

PADSTONES	
PS1	215L x 100W x 150D
PS2	440L x 100W x 215D
PS3	215L x 100W x 65D



Section A-A  
Scale 1:50

NOLAN ASSOCIATES  
**APPROVED  
CONSTRUCTION  
DRAWING**

REV	DESCRIPTION	BY	CHKD	DATE
C1	Updated to suit latest Architects layouts. Additional roof trusses and infill timbers around new and larger velux windows. Issued for Construction.	CR	RB	25.07.06