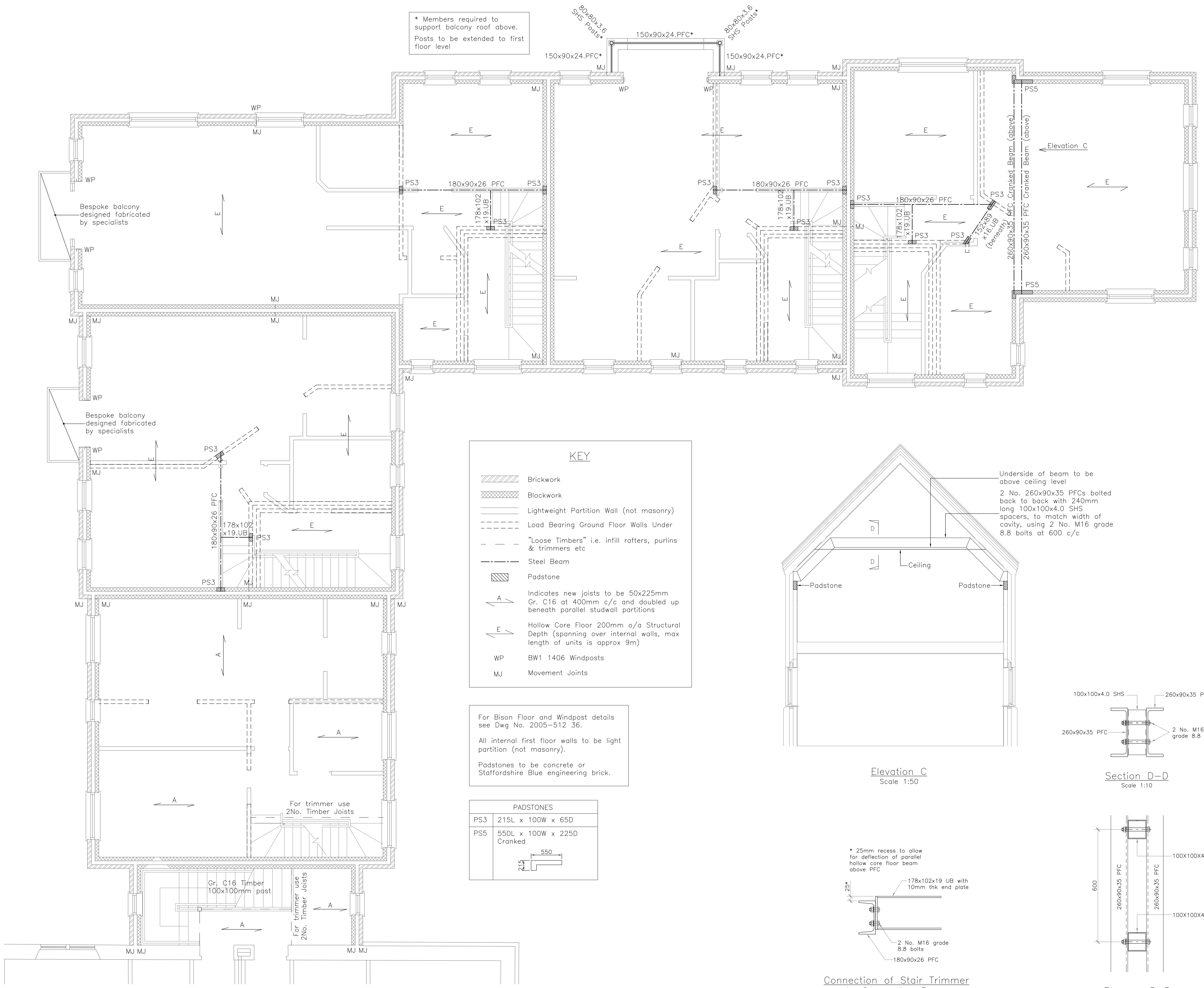


NOTES

1. THIS DRAWING TO BE READ IN CONJUNCTION WITH ALL RELEVANT ARCHITECTS, ENGINEERS AND SPECIALISTS' DRAWINGS AND THE SPECIFICATION.
2. THE CONTRACTOR SHALL BE RESPONSIBLE FOR THE EXECUTION OF THE WORKS IN ACCORDANCE WITH THE DRAWINGS AND THE SPECIFICATION AND FOR THE ACCURACY OF ALL DIMENSIONS AND SETTING OUT ON SITE. ALL DIMENSIONS TO BE CHECKED ON SITE PRIOR TO COMMENCEMENT OF THE WORKS.
3. MASONRY BELOW DPC TO BE SOLID DENSE CONCRETE BLOCKS WITH A MINIMUM COMPRESSIVE STRENGTH OF 7N/mm², LAID IN MORTAR DESIGNATION (ii) (1:1.3).
4. ALL BRICKWORK BELOW DPC TO HAVE A MINIMUM CRUSHING STRENGTH OF 40 N/mm² AND A WATER ABSORPTION OF LESS THAN 12%. DURABILITY DESIGNATION FL, LAID IN MORTAR DESIGNATION (iii) (1:1.6).
5. ALL INTERNAL BLOCKWORK ABOVE DPC TO BE SOLID DENSE CONCRETE BLOCKS WITH A MINIMUM COMPRESSIVE STRENGTH OF 7.0 N/mm², LAID IN MORTAR DESIGNATION (iii) (1:1.6).
6. ALL EXTERNAL BRICKWORK ABOVE DPC TO HAVE A MINIMUM CRUSHING STRENGTH OF 20 N/mm² AND DURABILITY DESIGNATION (iii) (1:1.6).
7. EXTERNAL CAVITY WALL TIES TO BE ANCON STAINLESS STEEL TYPE RT.2 x 225 LONG AT 900 CRS HORIZONTALLY AND 450 CRS VERTICALLY STAGGERED. THE SPACINGS TO BE CLOSED UP TO 225 VERT CRS AT COLUMN POSITIONS AND AROUND THE PERIMETER OF ALL DOOR AND WINDOW OPENINGS.
8. INTERNAL CAVITY WALL TIES TO BE 2.6mm ϕ x 225 LONG GALVANISED MILD STEEL BUTTERFLY TYPE WALL TIES AT 900 CRS HORIZONTALLY AND 450 CRS VERTICALLY STAGGERED. THE SPACINGS TO BE CLOSED UP TO 225 VERT CRS AT COLUMN POSITIONS AND AROUND THE PERIMETER OF ALL DOOR AND WINDOW OPENINGS.
9. ALL WALL TIES TO HAVE A MINIMUM EMBEDMENT OF 50mm INTO EACH MASONRY LEAF AND TO COMPLY FULLY WITH BS.1243.

* Members required to support balcony roof above.
Posts to be extended to first floor level

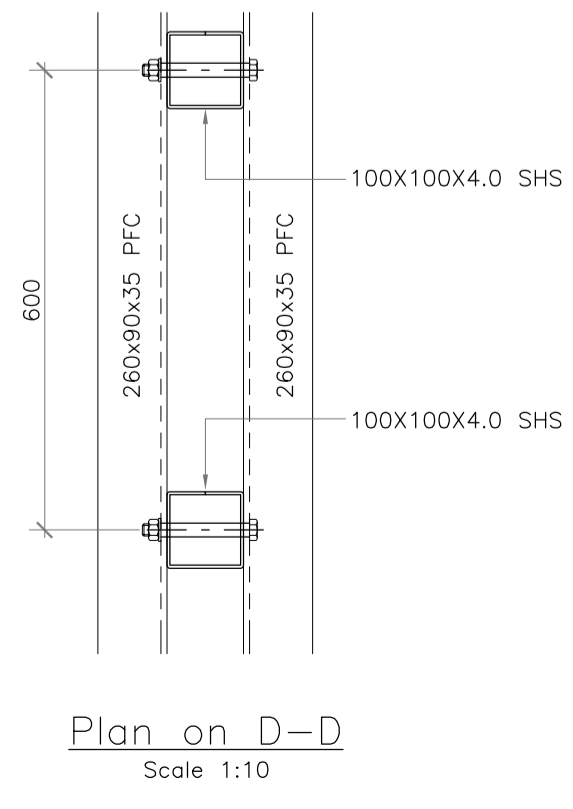
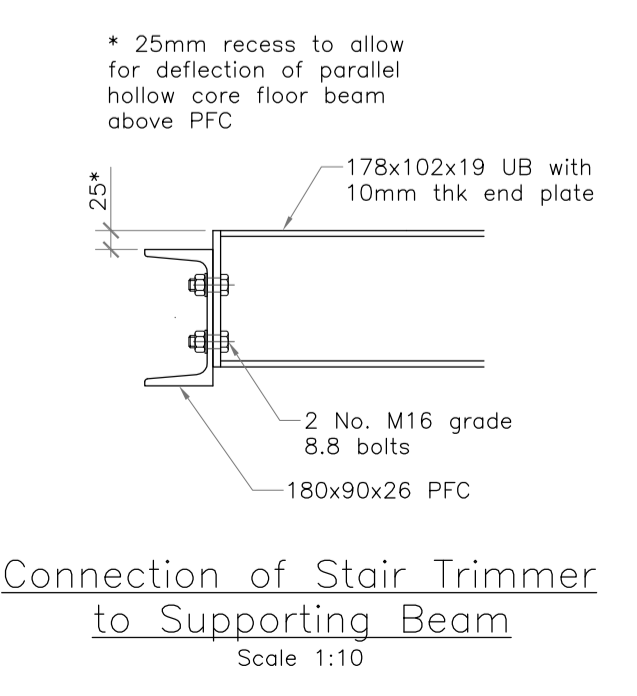
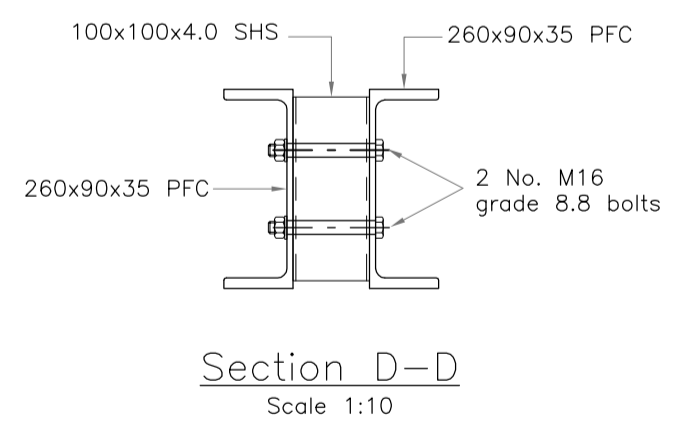
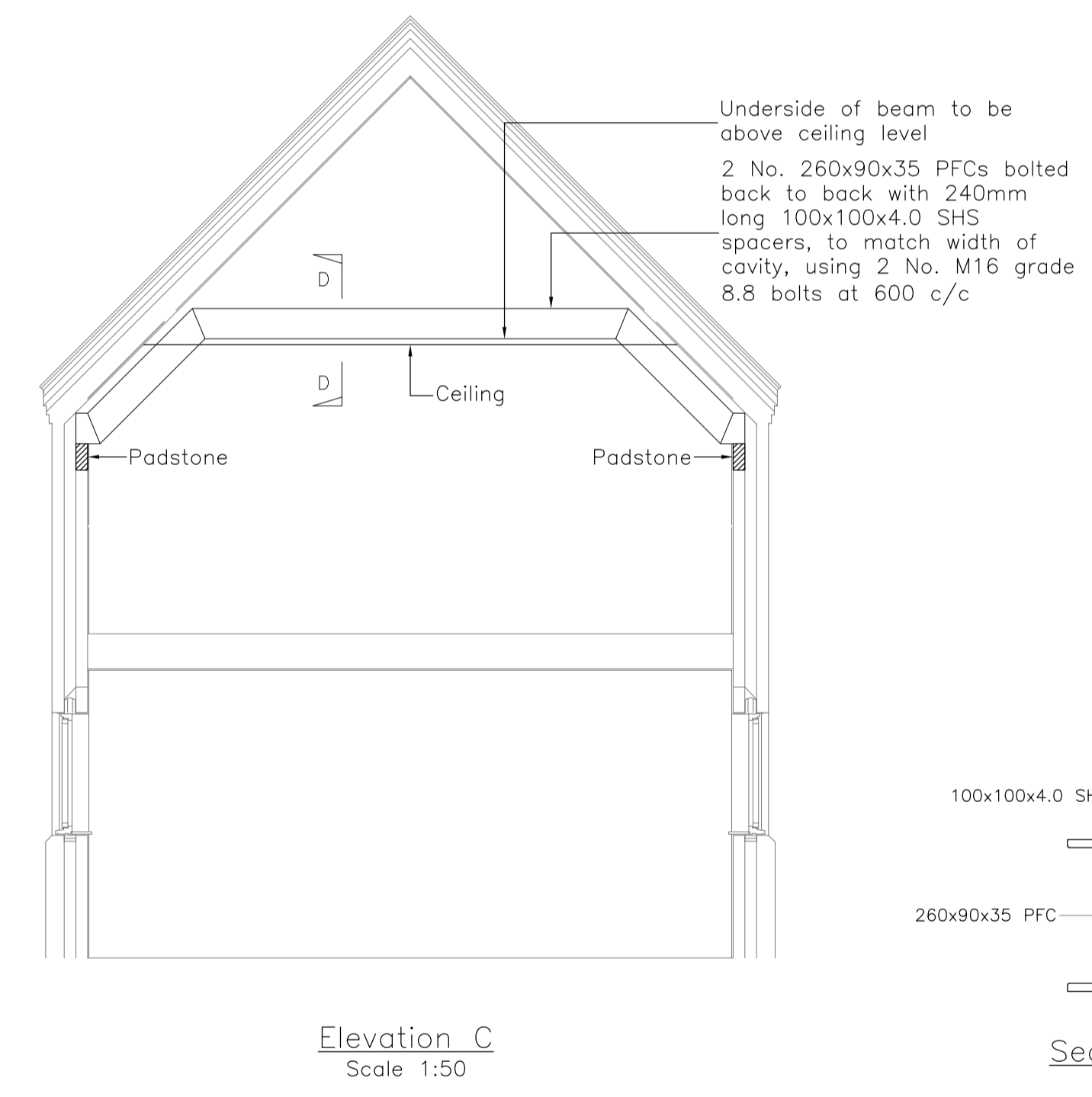


KEY

- Brickwork
- Blockwork
- Lightweight Partition Wall (not masonry)
- Load Bearing Ground Floor Walls Under
- "Loose Timbers" i.e. infill rafters, purlins & trimmers etc
- Steel Beam
- Padstone
- Indicates new joists to be 50x225mm Gr. C16 at 400mm c/c and doubled up beneath parallel studwall partitions
- Hollow Core Floor 200mm o/a Structural Depth (spanning over internal walls, max length of units is approx 9m)
- WP BW1 1406 Windposts
- MJ Movement Joints

For Bison Floor and Windpost details see Dwg No. 2005-512 36.
All internal first floor walls to be light partition (not masonry).
Padstones to be concrete or Staffordshire Blue engineering brick.

PADSTONES	
PS3	215L x 100W x 65D
PS5	550L x 100W x 225D Cranked



NOLAN ASSOCIATES
APPROVED CONSTRUCTION DRAWING

C1	Updated to suit latest Architects layouts. Connection detail to stair trimmer added. Issued for Construction.	CR	RB	25.07.06
----	---	----	----	----------

REV	DESCRIPTION	BY	CHKD	DATE